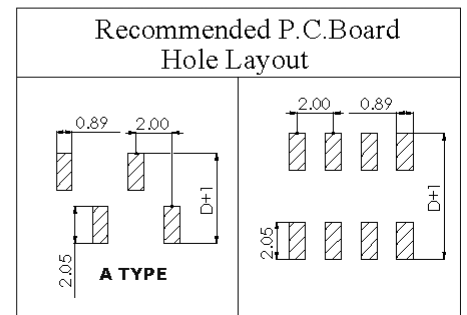
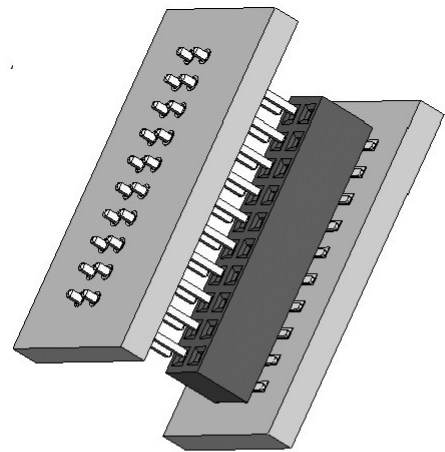
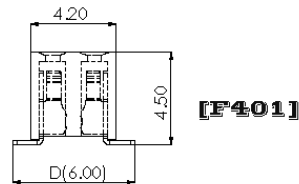
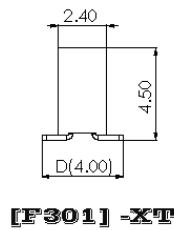
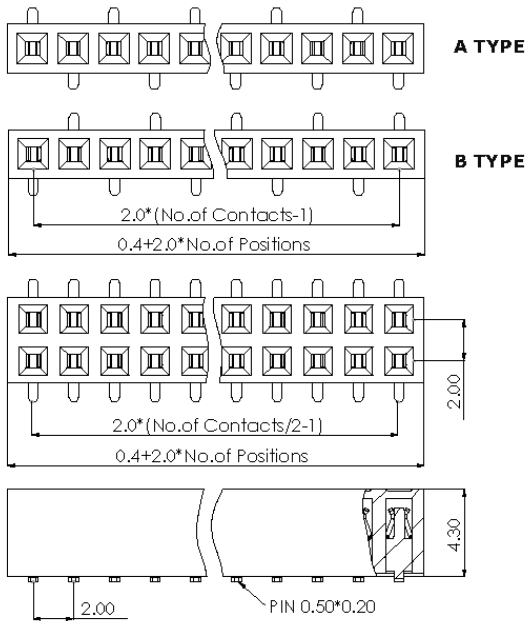
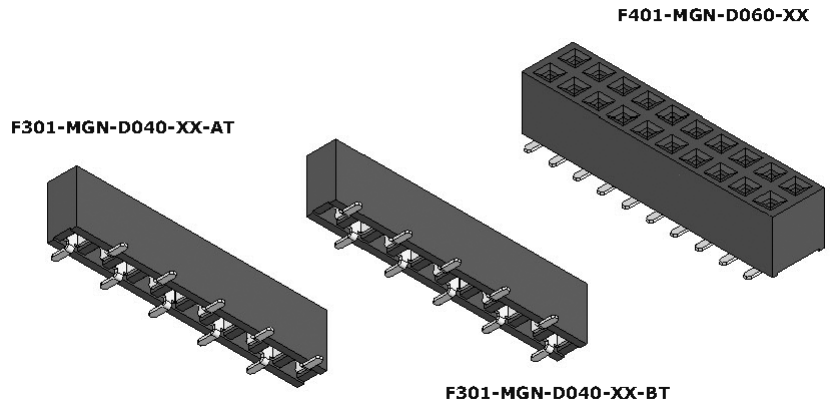


Female Header 2.0 mm

SMT Series

SPECIFICATIONS

Current Rating: 2 A
 Insulator Resistance: 3000 MOhm min.
 Contact Resistance: 20 mOhm max.
 Dielectric Withstanding: AC 500 V
 Operating Temperature: -40°C ~ +105°C
 Soldering Temperature: 260°C for 3~5sec. max
 Contact Material: Phosphor Bronze
 Insulator Material: Polyester, UL 94V-0
 Standard: Nylon-6T
 Finish: Tin, Gold or Duplex Plated
 Standard: Gold Flash all over
 Note: Duplex Plating: Gold Plated on contact area, Tin on solder area



How to order

Unit: mm

Series	Connector Type	Contact Plating	Material	Pin Length mm	Number of Contacts	Other
FXXX	- X	X	X -	DXXX	- XX	- XT
F301:F/H 2.00 H:4.30 Single Row F401:F/H 2.00 H:4.30 Dual Row	M:SMT Type	G:Gold Flash T:Tin Plated A:10U"Gold B:15U"Gold C:20U"Gold ⊙Duplex Plating D:Gold Flash/Tin (Standard:G)	N:Nylon-6T (Standard:N)	M-D D040 D060	F301:(02 TO 40 Contacts) F401:(04 TO 80 Contacts)	AT:A TYPE BT:B TYPE